

## S-Band Radar Transistor

The high power pulsed radar transistor device part number IB3135MH5 is designed for S-Band radar systems operating over the instantaneous bandwidth of 3.1-3.5 GHz. While operating in class C mode this common base device supplies a minimum of 5 watts of peak pulse power under the conditions of 100us pulse width and 10% duty cycle over the frequency range of 3.1-3.5 GHz. All devices are 100% screened for large signal RF parameters, including power gain compression. Excellent spectral stability into output mismatch over a board input power range make it ideal for use in reliable high power solid state transmitters. This device is rated for a peak output power level of  $P_{PEAK} = 5W @ 10\%$  duty factor. This corresponds to an average power  $P_{AVG} = 0.5W$ .



### Silicon Bipolar

- Ultra-high  $f_T$

### Class C Operation

- High Efficiency

### Common Base Configuration

- Single Power Supply

### Gold Metal

- Maximum Reliability

### Emitter Ballasting

- Optimum Thermal Distribution

### Internal Impedance Matching

- Ease of Use
- Ultra-low Loss Design

### Be0 Package

- Unmatched Thermal Reliability
- Solder Seal Hermeticity

### RF Test Fixture

- Broadband
- Matched to  $50\Omega$
- Long-term Correlation
- 100% Device RF Screening
- No External Tuning Allowed

### TYPICAL DATA TYPICAL DATA TYPICAL DATA TYPICAL DATA

Device	Freq (MHz)	Vcc (V)	Pin (W)	IRL (dB)	Pout (W)	Gp (dB)	Ic (A)	Nc (%)	Droop (dB)
500026-1	3.100	36	0.9	16	7.2	9.0	0.52	39	-0.2
500026-1	3.300	36	0.9	12	6.5	8.6	0.48	38	0.2
500026-1	3.500	36	0.9	10	5.4	7.8	0.49	31	-0.1

Pulse width = 100us, 10%

**MAXIMUM RATINGS**

Screen	Parameter	Symbol	Min	Max	Units	Test Conditions
BD	Collector-Emitter Voltage	$V_{CES}$	--	70	V	$V_{BE}=0V$ .
BD	Storage Temperature Range	$T_{STG}$	-65	+200	°C	--
BD	Operating Junction Temperature Range	$T_J$	-55	+200	°C	--
BD	CW Operation	--	--	--	--	Not rated for CW operation.
Note	Screen 'BD' = parameter qualified By Design.					

**THERMAL CHARACTERISTICS**

Screen	Parameter	Symbol	Min	Max	Units	Test Conditions
BD	Thermal Resistance	$R_{TH(JC)}$	--	3.5	°C/W	$V_{CC}=V1$ , $PW=PW1$ , $DF=DF1$ , $T_F=25\pm5^\circ C$ , $P_{OUT} = 5W$ .
Note	Screen 'BD' = parameter qualified By Design.					

**PROCESSING SPECIFICATIONS**

Screen	Parameter	Symbol	Min	Max	Units	Test Conditions
100%	DC Wafer Probe	--	--	--	--	Per Integra specification.
Q1	Wafer DC and RF Qualification	--	--	--	--	Per Integra specification.
LM	Wire Bond Strength	--	--	--	--	Line monitor per Integra specification.
100%	Pre-cap visual inspection	--	--	--	--	Per Integra specification.
100%	Gross leak test	--	--	--	--	MIL-STD-750D, Method 1071.6, Test Condition C.
Note	Screen 'Q1' = parameter is qualified by assembly and test of 3 pieces minimum per wafer.					
Note	Screen 'LM' = parameter is qualified by assembly line monitor.					

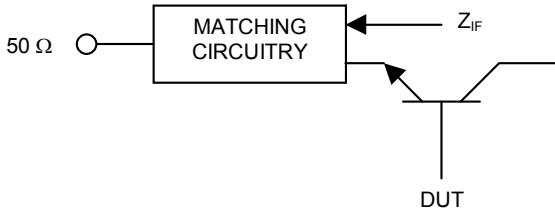
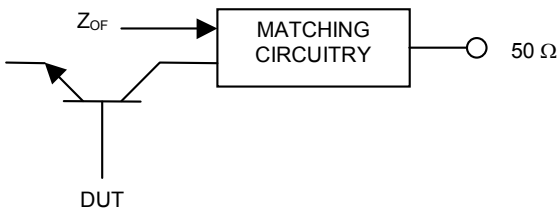
**DC ELECTRICAL CHARACTERISTICS**

Screen	Parameter	Symbol	Min	Max	Units	Test Conditions
100%	Collector-Emitter Breakdown Voltage	$BV_{CES}$	70	--	V	$I_C=10mA$ , $V_{BE}=0V$ , $T_F=25\pm5^\circ C$ .
100%	Zero Base Voltage Collector Leakage Current	$I_{CES}$	--	1.0	mA	$V_{CE}=36V$ , $V_{BE}=0V$ , $T_F=25\pm5^\circ C$ .
100%	DC Current Gain	$H_{FE}$	10	100	--	$V_{CE}=5V$ , $I_C=0.1A$ , $T_F=25\pm5^\circ C$ .

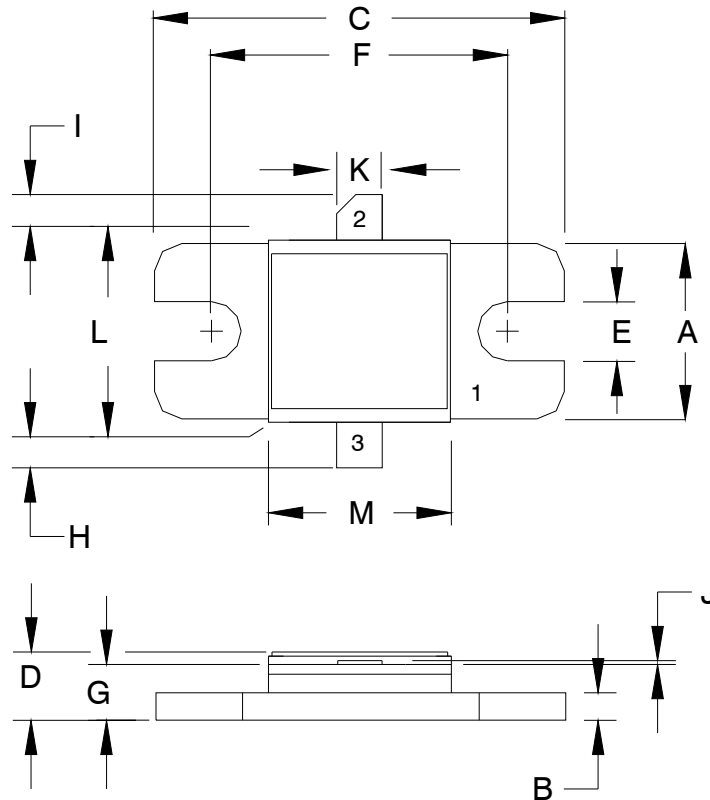
**RF ELECTRICAL CHARACTERISTICS**

Screen	Parameter	Symbol	Min	Max	Units	Test Conditions
100%	Input Return Loss	IRL	-18	-6	dB	$V_{CC}=V1$ , $PW=PW1$ , $DF=DF1$ , $T_F=25\pm5^\circ C$ , $P_{IN}=0.9W$ , $F=F1, F2, F3$ .
100%	Output Power	$P_O$	5	8	W	$V_{CC}=V1$ , $PW=PW1$ , $DF=DF1$ , $T_F=25\pm5^\circ C$ , $P_{IN}=0.9W$ , $F=F1, F2, F3$ .
100%	Collector Efficiency ( $P_O/I_C/V_{CC}$ )	$N_C$	30	50	%	$V_{CC}=V1$ , $PW=PW1$ , $DF=DF1$ , $T_F=25\pm5^\circ C$ , $P_{IN}=0.9W$ , $F=F1, F2, F3$ .
100%	Pulse Amplitude Droop	Droop	-0.50	+0.50	dB	$V_{CC}=V1$ , $PW=PW1$ , $DF=DF1$ , $T_F=25\pm5^\circ C$ , $P_{IN}=0.9W$ , $F=F1, F2, F3$ .
100%	Stability into 1.5:1 VSWR	VSWR-S	--	--	--	$V_{CC}=V1$ , $PW=PW1$ , $DF=DF1$ , $T_F=25\pm5^\circ C$ , $P_{IN}=0.9W$ , $F=F1, F2, F3$ . Rotate 1.5:1 output VSWR through 360° phase. No oscillatory or pulse break-up characteristics allowed on detected output pulse. All non-harmonically related signals must be at least -65 dBc.
100%	2:1 Load Mismatch Tolerance	VSWR-LMT	--	--	--	$V_{CC}=V1$ , $PW=PW1$ , $DF=DF1$ , $T_F=25\pm5^\circ C$ , $P_{IN}=0.9W$ , $F=F1, F2, F3$ . Rotate 2:1 output VSWR through 360° phase. Survival.
Note	$V1 = 36V$ ; $PW1 = 100\mu s$ ; $DF1 = 10\%$ ; $F1 = 3.10 GHz$ , $F2 = 3.30 GHz$ , $F3 = 3.50 GHz$ .					
Note	$T_F$ = Device flange temperature. Screen 'BD' = parameter qualified By Design.					

**RF TEST FIXTURE IMPEDANCE CHARACTERISTICS**

Frequency (GHz)	$Z_{IF}$ ( $\Omega$ )	$Z_{OF}$ ( $\Omega$ )
3.10	18.8 -J1.0	18.9 -J18.5
3.30	16.7 +J2.0	14.4 -J12.0
3.50	15.5 +J5.3	11.9 -J6.0
Impedance Definition		

**PACKAGE DIMENSIONAL OUTLINE DRAWING**

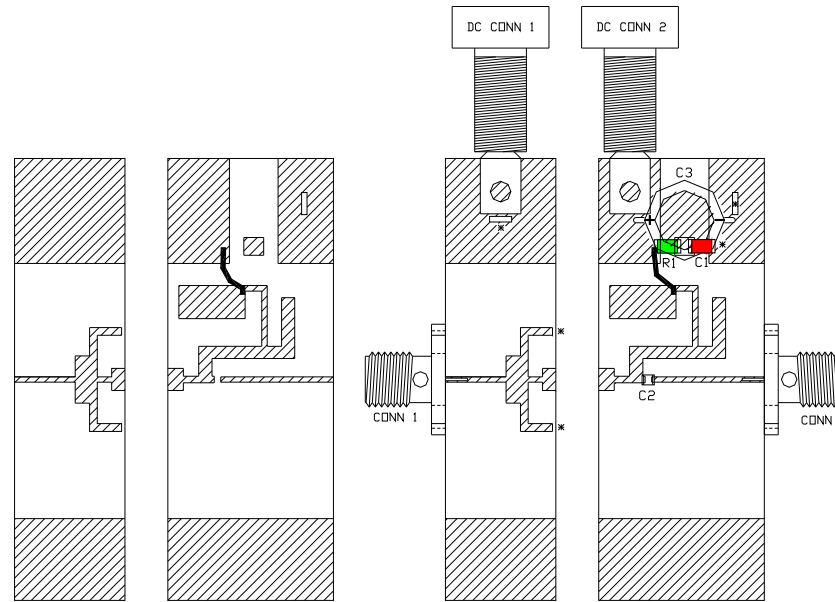


DIM	INCHES		MILLIMETERS	
	MIN	MAX	MIN	MAX
A	0.380	0.390	9.65	9.91
B	0.058	0.062	1.47	1.57
C	0.895	0.905	22.73	22.99
D	0.150	0.190	3.81	4.83
E	0.125	0.135	3.18	3.43
F	0.645	0.655	16.38	16.64
G	0.110	0.130	2.79	3.30
H	0.095	0.105	2.41	2.67
I	0.095	0.105	2.41	2.67
J	0.003	0.005	0.08	0.13
K	0.095	0.105	2.41	2.67
L	0.395	0.405	10.03	10.29
M	0.395	0.405	10.03	10.29

PIN	
1	BASE
2	COLLECTOR
3	EMITTER

NOTES:  
LID: SEE BOM

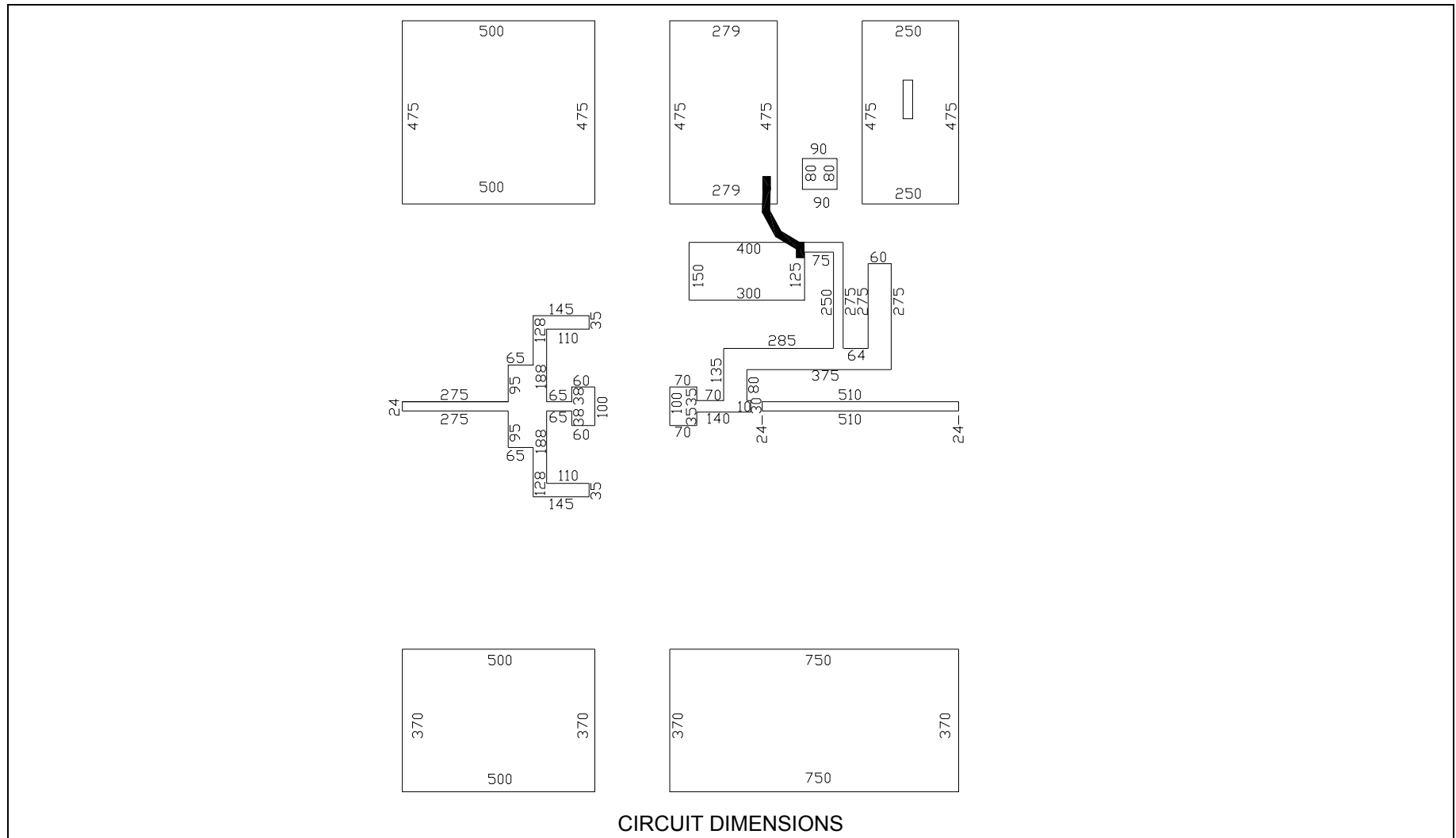
**RF TEST FIXTURE**



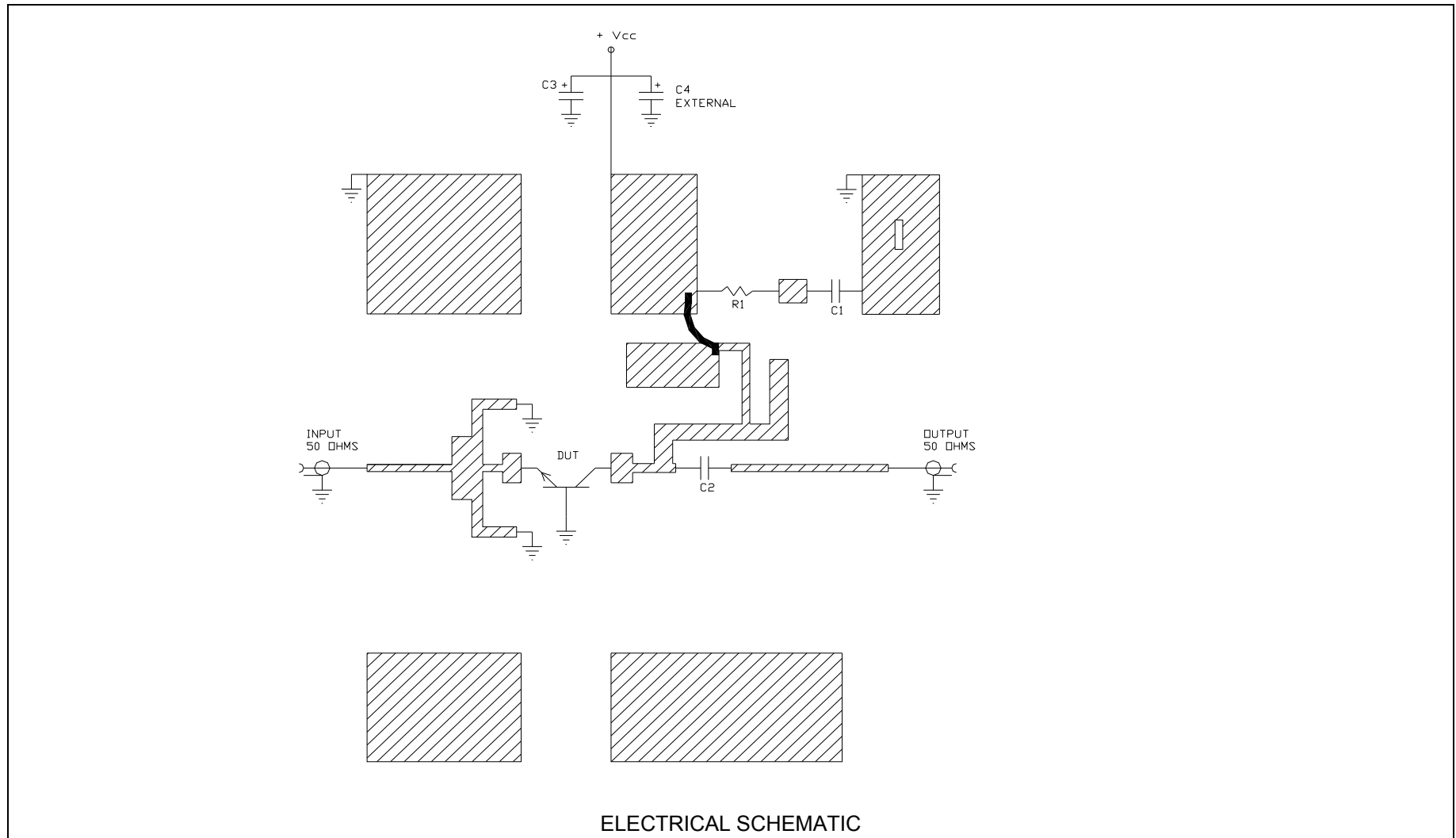
COMPONENT	DESCRIPTION
DUT	TRANSISTOR #IB3135MH5, MOUNT HARD TO THE RIGHT
PC BOARD	ROGERS #RD6010.5LM, TH=0.025" 1oz. Cu BOTH SIDES
C1	SNUB CAPACITOR 1uF
C2	CHIP CAPACITOR, TYPE ATC100A, 39 pF
C3	ELECTROLYTIC CAPACITOR, 68uF / 63V
C4 - NOT SHOWN	ELECTROLYTIC CAPACITOR, 2200uF / 63V
R1	SNUB RESISTOR 6.810HMS
GS	GROUND SHIM, COPPER, TH=0.001"
CONN1, CONN2	SMA CONNECTOR, TYPE QS #2052-5636-02
INPUT PC BOARD CARRIER	0.50 INCH BRASS - 01
OUTPUT PC BOARD CARRIER	0.75 INCH BRASS - 02
TRANSISTOR CARRIER	2 INCH COPPER - 02
TRANSISTOR CLAMP	NORYL CLAMP -02
HEATSINK	2 INCH HEATSINK - 09
DC CONN1	BANANA JACK, BLACK
DC CONN2	BANANA JACK, RED
JP	JUMPER WIRE, 1 PLACE
NOTE	FIXTURE HARDWARE DRAWINGS AVAILABLE ON REQUEST

**ASSEMBLY AND PARTS LIST**

**RF TEST FIXTURE**



**RF TEST FIXTURE**



**DEFINITIONS**

<b>Data Sheet Status</b>	
Proposed Specification	This data sheet contains proposed specifications.
Preliminary Specification	This data sheet contains specifications based on preliminary measurements and data.
Product Specification	This data sheet contains final product specifications.
<b>Maximum Ratings</b>	
Stress above one or more of the maximum ratings may cause permanent damage to the device. These are maximum ratings only. Operation of the device at these or at any other conditions above those given in the characteristics sections of the specification is not implied. Exposure to maximum values for extended periods of time may affect device reliability.	

**WARNING**

<b>Product and environmental safety - toxic materials</b>
This product contains beryllium oxide. The product is entirely safe provided that the BeO base is not damaged. All persons who handle, use or dispose of this product should be aware of its nature and of the necessary safety precautions. After use, dispose of as chemical or special waste according to the regulations applying at the location of the user. It must never be thrown out with general or domestic waste.

**DISCLAIMER**

Integra Technologies Inc. reserves the right to make changes without further notice to any products herein. Integra Technologies Inc. makes no warranty, representation or guarantee regarding the suitability of its products for any particular purpose, nor does Integra Technologies Inc. assume any liability arising out of the application or use of any product or circuit, and specifically disclaims any and all liability, including without limitation consequential or incidental damages. Integra Technologies Inc. products are not designed for use in life support appliances, devices, or systems where malfunction of these products can reasonably be expected to result in personal injury. Integra Technologies Inc. customers using or selling these products for use in such applications do so at their own risk and agree to fully indemnify Integra Technologies Inc. for any damages resulting from such improper use or sale.
--