

L-Band Avionics 70W Transistor

The high power pulsed transistor device part number IB0912L70 is designed for systems operating over the instantaneous bandwidth of 960-1215 MHz. While operating in class C mode under 444x (7us on, 6us off), 22.7% pulsing conditions and Vcc=44V, this common base device supplies a minimum of 70 watts of peak pulse power. It utilizes a low loss internal input impedance matching structure to yield maximum device gain and to ease the implementation of external matching circuitry. The new generation bipolar transistor geometry utilizes a gold metallization system to achieve maximum reliability. Emitter ballast resistance is incorporated on the active cell for optimum thermal distribution and maximum reliability. All devices are 100% screened for large signal RF parameters.



Silicon Bipolar

- Ultra-high f_T

Class C Operation

- High Efficiency

Common Base Configuration

- Single Power Supply

Gold Metal

- Maximum Reliability

Emitter Ballasting

- Optimum Thermal Distribution

Internal Impedance Matching

- Ease of Use
- Ultra-low Loss Design

Be0 Package

- Low Thermal Resistance
- Solder Sealed Hermetic

RF Test Fixture

- Broadband
- Matched to 50Ω
- Long-term Correlation
- 100% Device RF Screening
- No External Tuning Allowed
- Micro-strip structure on soft pc board with dielectric constant 10.2

TYPICAL DATA

TYPICAL DATA

TYPICAL DATA

TYPICAL DATA

General Information	Test Sequence	Freq	PIN	RL	POUT	GP	dG	IC	nc	Droop	VSWR-S	VSWR-LMT
IB0912L70	Name	(MHz)	(W)	(dB)	(W)	(dB)	(dB)	(A)	(%)	(dB)	1.5:1 (P-F)	2:1 (P-F)
Date:	4/15/2009											
Assbly Lot - SN :	D3749-1	Nominal	960	5.0 -12.0	79.0	11.99		2.974	60.4	0.09	P	P
Wafer :	NA											
Test Fixture :	NA	Nominal	1090	5.0 -11.0	76.0	11.82	0.34	2.969	58.2	0.07	P	P
Pass / Fail :	Device Passes											
OPERATOR:	FB	Nominal	1215	5.0 -17.0	73.0	11.64		2.696	61.5	0.04	P	P
Vcc=44V	Pulse= 444x(7usON, 6usOFF), 22.7%											

MAXIMUM RATINGS

Screen	Parameter	Symbol	Min	Max	Units	Test Conditions
BD	Collector-Emitter Voltage	V_{CES}	--	85	V	--
BD	Emitter-Base Voltage	V_{EBO}	--	2	V	--
BD	Storage Temperature Range	T_{STG}	-55	+150	°C	--
BD	Operating Junction Temperature Range	T_J	-55	+200	°C	--
Note	Screen 'BD' = parameter qualified By Design.					

THERMAL CHARACTERISTICS

Screen	Parameter	Symbol	Min	Max	Units	Test Conditions
BD	Thermal Resistance	$R_{TH(JC)}$	--	TBD	°C/W	$V_{CC}=44V$, Pulse format=444x (7us on, 6us off), 22.7%, $T_F=25\pm 5^\circ C$, $P_{IN}=5W$, $N_C=55\%$
Note	Screen 'BD' = parameter qualified By Design.					

PROCESSING SPECIFICATIONS

Screen	Parameter	Symbol	Min	Max	Units	Test Conditions
100%	DC Wafer Probe	--	--	--	--	Per Integra specification.
Q1	Wafer DC and RF Qualification	--	--	--	--	Per Integra specification.
LM	Wire Bond Strength	--	--	--	--	Line monitor per Integra specification.
100%	Pre-cap visual inspection	--	--	--	--	Per Integra specification
100%	Gross leak test	--	--	--	--	MIL-STD-750D, Method 1071, Test Condition C
Note	Screen 'Q1' = parameter is qualified by assembly and test of 3 pieces minimum per wafer.					
Note	Screen 'LM' = parameter is qualified by assembly line monitor.					

DC ELECTRICAL CHARACTERISTICS

Screen	Parameter	Symbol	Min	Max	Units	Test Conditions
100%	Collector-Emitter Breakdown Voltage	BV_{CES}	85	--	V	$I_C = 40mA$, $V_{BE} = 0V$, $T_F = 25\pm 5^\circ C$.
100%	Zero Base Voltage Collector Leakage Current	I_{CES}	--	100	uA	$V_{CE} = 44V$, $V_{BE} = 0V$, $T_F = 25\pm 5^\circ C$.
100%	DC Current Gain	H_{FE}	20	100	--	$V_{CE} = 5V$, $I_C = 500mA$, $T_F = 25\pm 5^\circ C$.

RF ELECTRICAL CHARACTERISTICS

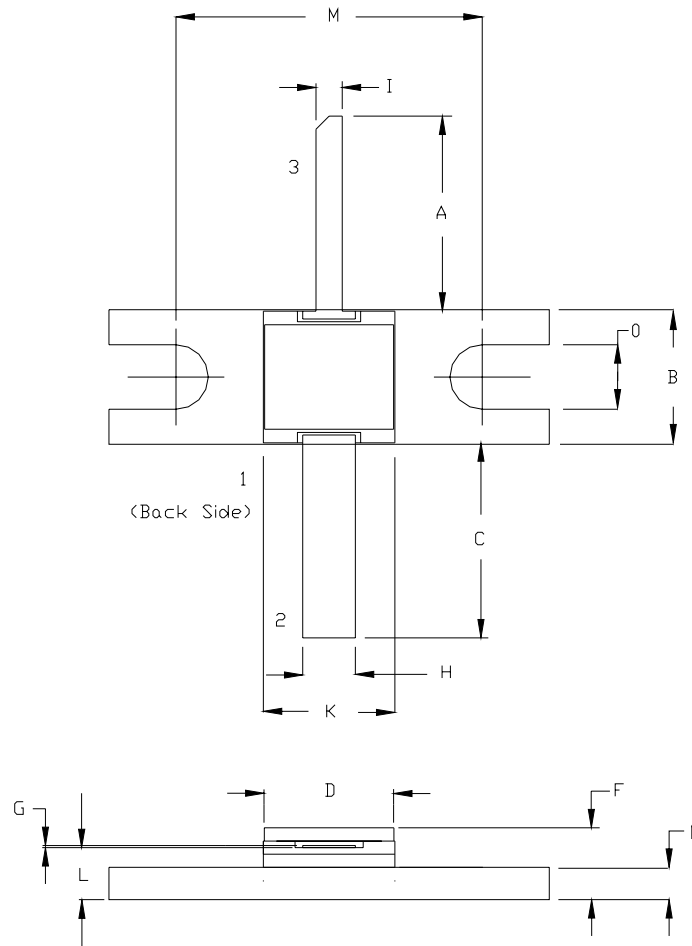
Screen	Parameter	Symbol	Min	Max	Units	Test Conditions
100%	Input Return Loss	RL	-18	-9	dB	$V_{CC}=44V$, $P_{IN}=5W$, Pulse = Note 2, $T_F=25\pm5^\circ C$, $F=F1$.
BD	Maximum Overdrive	$P_{IN(MAX)}$	--	6.7	W	$V_{CC}=44V$, Pulse = Note 2, $T_F=25\pm5^\circ C$, $F=F1$.
100%	Power Gain	G_P	11.46	13.00	dB	$V_{CC}=44V$, $P_{IN}=5W$, Pulse = Note 2, $T_F=25\pm5^\circ C$, $F=F1$
100%	Output Power	P_o	70	100	W	$V_{CC}=44V$, $P_{IN}=5W$, Pulse = Note 2, $T_F=25\pm5^\circ C$, $F=F1$
100%	Collector Efficiency ($P_o/I_c/V_{CC}$)	N_C	55	80	%	$V_{CC}=44V$, $P_{IN}=5W$, Pulse = Note 2, $T_F=25\pm5^\circ C$, $F=F1$.
100%	Pulse Amplitude Droop	Droop	-0.5	0.5	dB	$V_{CC}=44V$, $P_{IN}=5W$, Pulse = Note 2, $T_F=25\pm5^\circ C$, $F=F1$.
100%	Gain Flatness	dG	0	1.5	dB	Delta between highest gain and lowest gain from 960-1215MHz
100%	Stability into 1.5:1 VSWR	VSWR-S	--	--	--	$V_{CC}=44V$, $P_{IN}=5W$, Pulse = Note 2, $T_F=25\pm5^\circ C$, $F=F1$. Rotate 1.5:1 output VSWR through 360° phase. No oscillatory or pulse break-up characteristics allowed on detected output pulse.
100%	Load Mismatch Tolerance	VSWR-LMT	2:1	--	--	$V_{CC}=44V$, $P_{IN}=5W$, Pulse = Note 2, $T_F=25\pm5^\circ C$, $F=F1$. Rotate 2:1 output VSWR through 360° phase. Survival.
Note 1	F1 = 960/1090/1215 MHz.					
Note 2	Pulse burst = 444x (7us on, 6us off), 22.7%.					
Note 3	T_F = Device flange temperature.					
Note 4	Screen 'BD' = parameter qualified By Design.					

RF TEST FIXTURE IMPEDANCE CHARACTERISTICS

Frequency (MHz)	Z_{IF} (Ω)	Z_{OF} (Ω)
960	3.83-j4.00	10.90-j5.60
1090	3.92-j2.37	10.65-j3.85
1215	4.60-j0.90	12.00-j2.56

Impedance Definition		
----------------------	--	--

PACKAGE DIMENSIONAL OUTLINE DRAWING

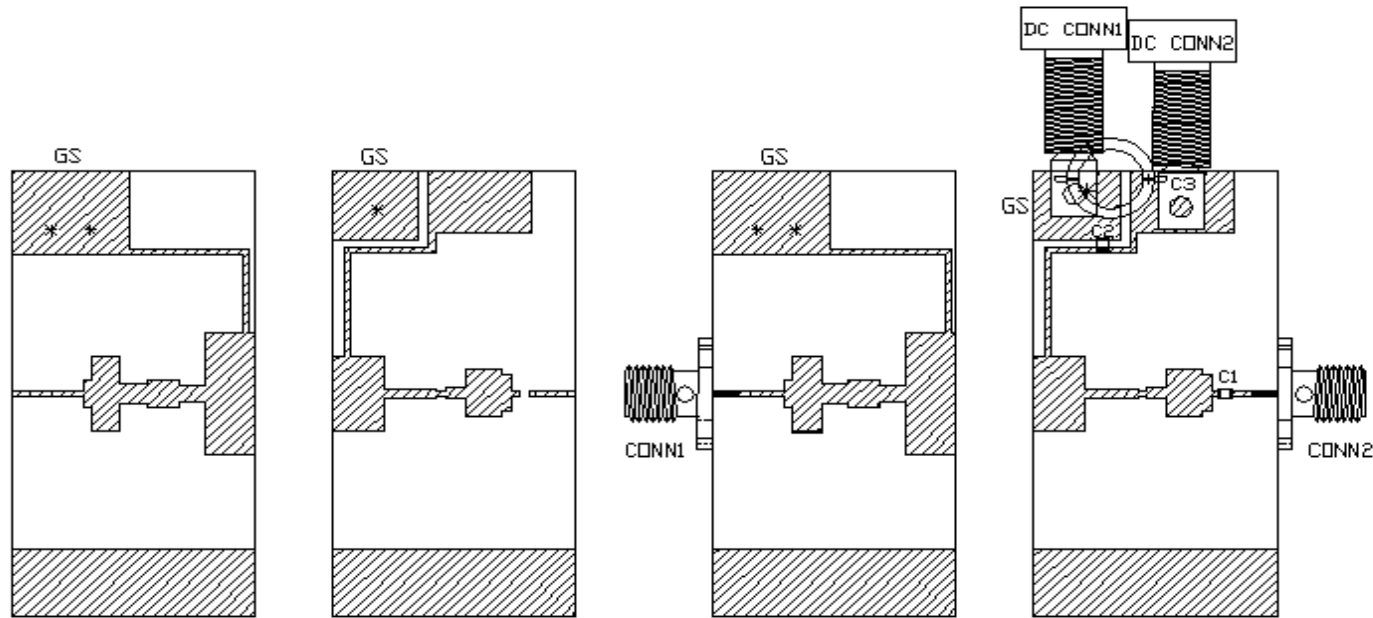


DIM	INCHES		MILLIMETERS	
	MIN	MAX	MIN	MAX
A	0.100	0.250	2.54	6.35
B	0.243	0.257	6.17	6.53
C	0.100	0.260	2.54	6.60
D	0.193	0.240	4.90	6.10
□	0.115	0.125	2.92	3.17
F	0.130	0.140	3.30	3.55
G	0.002	0.006	0.05	0.15
H	0.093	0.107	2.36	2.72
I	0.047	0.057	1.19	1.45
J	0.153	0.167	3.89	4.24
K	0.243	0.257	6.17	6.53
L	0.090	0.100	2.29	2.54
M	0.565	0.575	14.35	14.60
N	0.055	0.065	1.40	1.65

PIN SCHEDULE	
1	BASE
2	EMITTER
3	COLLECTOR

NOTES:
DIMENSIONS N, F, L DO NOT INCLUDE BACKSIDE SOLDER.

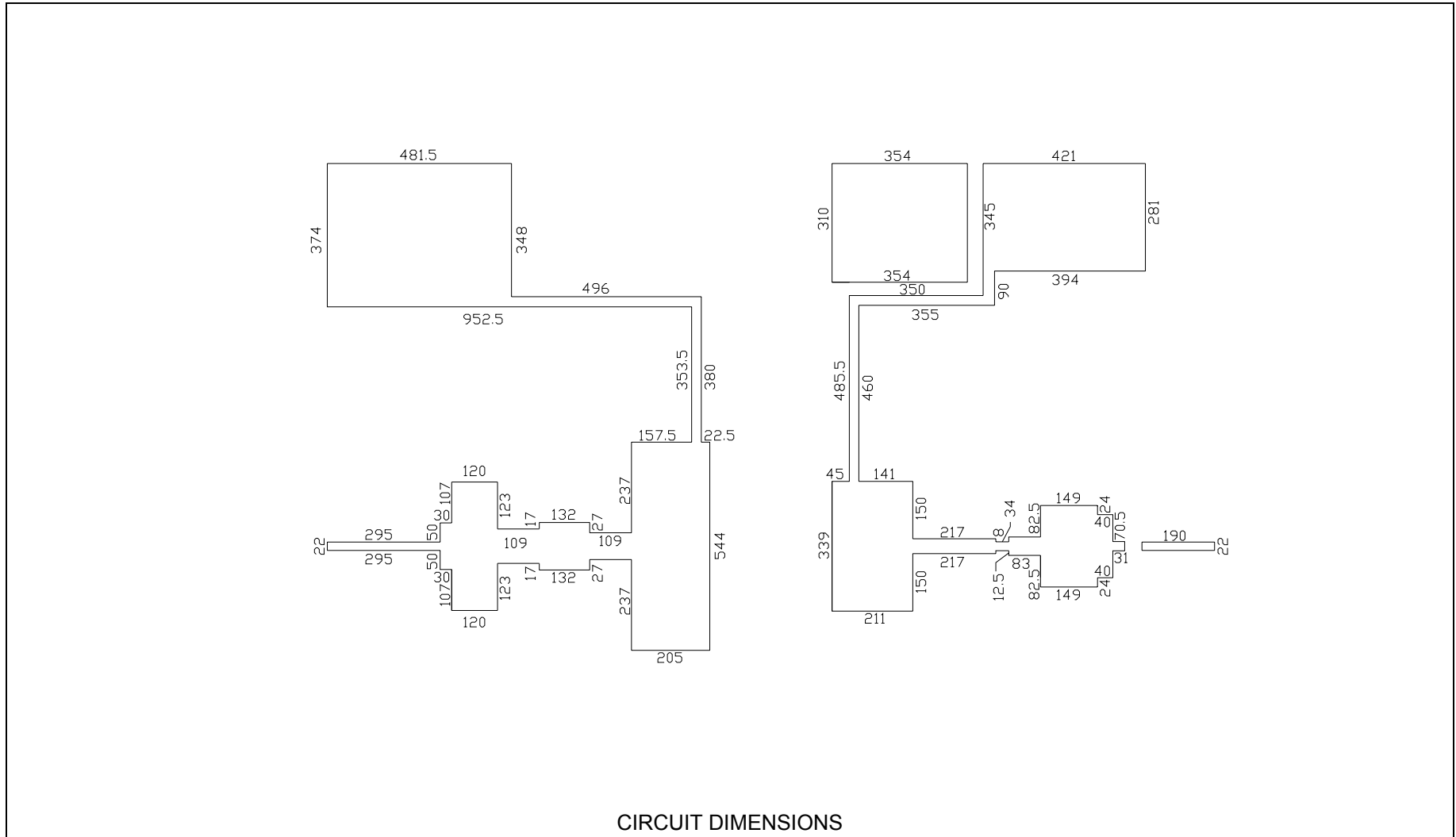
RF TEST FIXTURE



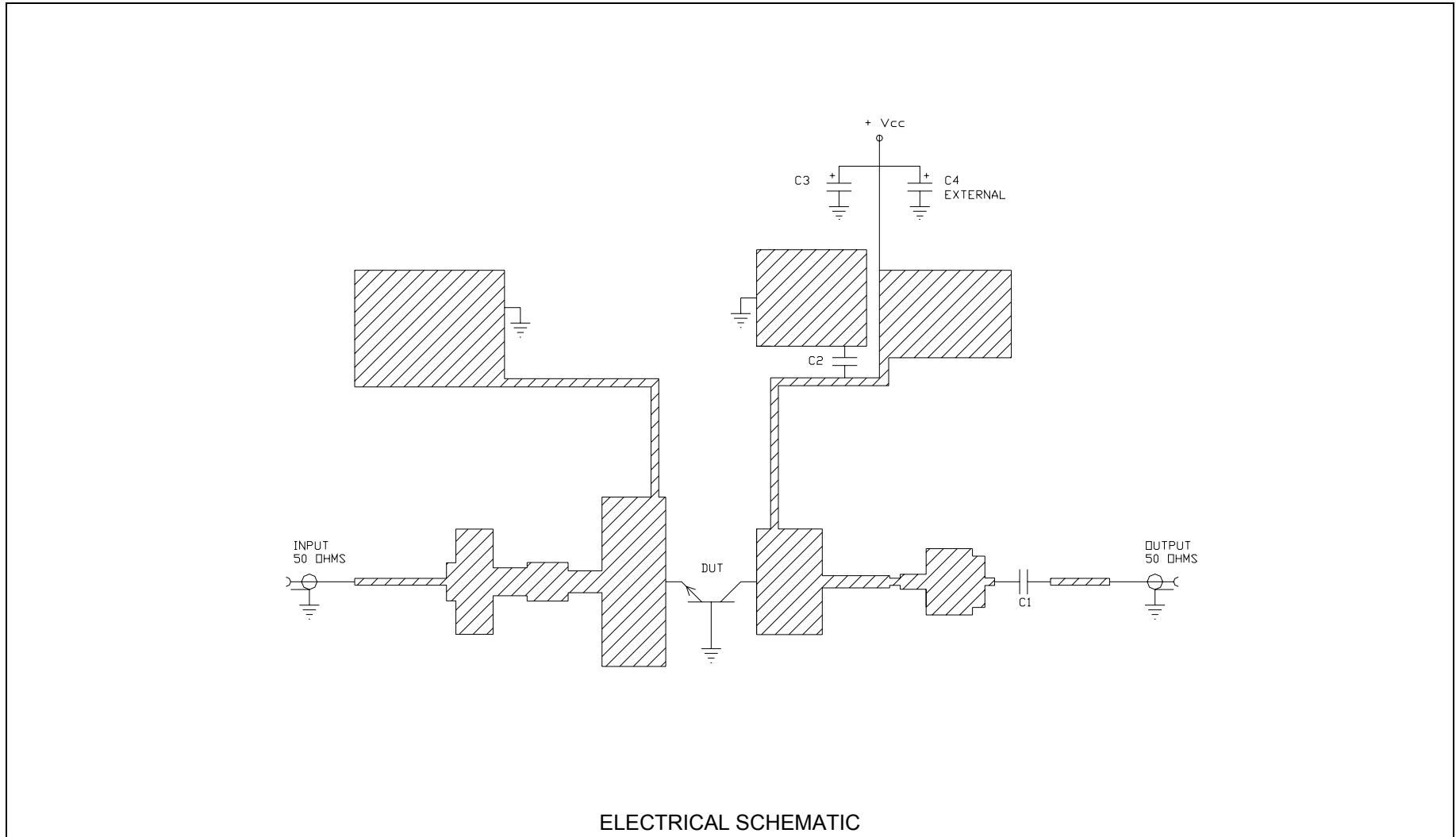
COMPONENT	DESCRIPTION
DUT	TRANSISTOR IB0912L70, MOUNT HARD TO THE RIGHT
PC BOARD	ROGERS 6010.2LM 0.025" 1E/1E
C1, C2	CHIP CAPACITOR, TYPE ATC100A, 100 pF
C3	ELECTROLYTIC CAPACITOR, 68uF / 63V
GS	GROUND SHIM, COPPER, TH=0.001"
CONN1, CONN2	SMA CONNECTOR, TYPE DS #2052-5636-02
INPUT PC BOARD CARRIER	2 INCH BRASS - 03
OUTPUT PC BOARD CARRIER	2 INCH BRASS - 03
TRANSISTOR CARRIER	2 INCH COPPER - 11
TRANSISTOR CLAMP	NORYL CLAMP - 01
HEATSINK	2 INCH HEATSINK - 11
DC CONN1	BANANA JACK, BLACK
DC CONN2	BANANA JACK, RED
NOTE	FIXTURE HARDWARE DRAWINGS AVAILABLE ON REQUEST

ASSEMBLY AND PARTS LIST

RF TEST FIXTURE



RF TEST FIXTURE



DEFINITIONS

Data Sheet Status	
Proposed Specification	This data sheet contains proposed specifications.
Preliminary Specification	This data sheet contains specifications based on preliminary measurements and data.
Product Specification	This data sheet contains final product specifications.
Maximum Ratings	
Stress above one or more of the maximum ratings may cause permanent damage to the device. These are maximum ratings only and operation of the device at these or at any other conditions above those given in the characteristics sections of the specification is not implied. Exposure to maximum values for extended periods of time may affect device reliability.	

WARNING

Product and environmental safety - toxic materials
This product contains beryllium oxide. The product is entirely safe provided that the BeO base is not damaged. All persons who handle, use or dispose of this product should be aware of its nature and of the necessary safety precautions. After use, dispose of as chemical or special waste according to the regulations applying at the location of the user. It must never be thrown out with general or domestic waste.

DISCLAIMER

Integra Technologies Inc. reserves the right to make changes without further notice to any products herein. Integra Technologies Inc. makes no warranty, representation or guarantee regarding the suitability of its products for any particular purpose, nor does Integra Technologies Inc. assume any liability arising out of the application or use of any product or circuit, and specifically disclaims any and all liability, including without limitation consequential or incidental damages. Integra Technologies Inc. products are not designed for use in life support appliances, devices, or systems where malfunction of these products can reasonably be expected to result in personal injury. Integra Technologies Inc. customers using or selling these products for use in such applications do so at their own risk and agree to fully indemnify Integra Technologies Inc. for any damages resulting from such improper use or sale.
--